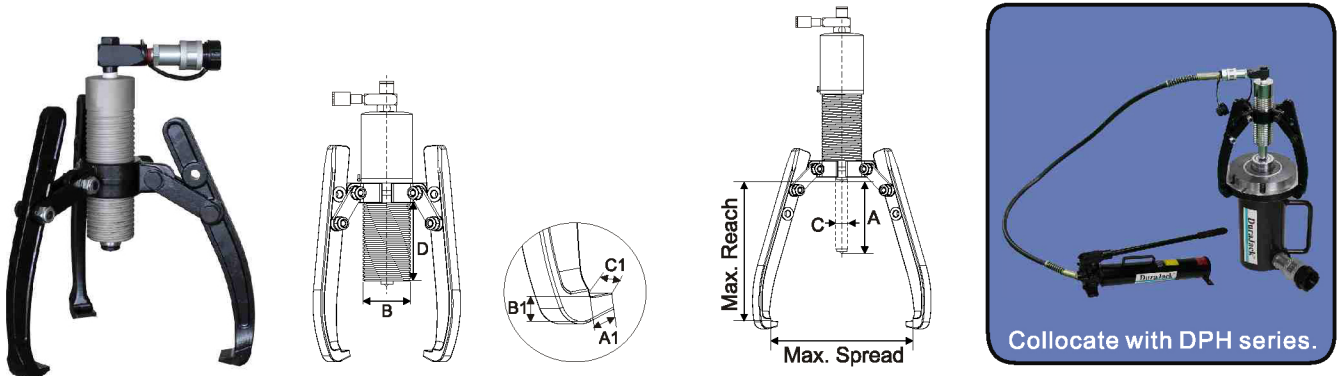
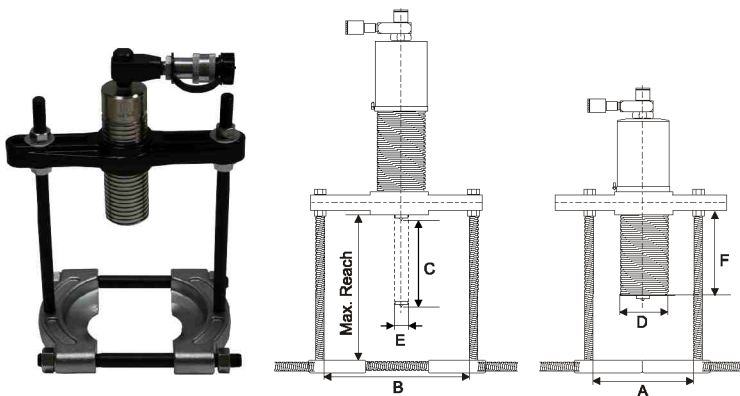


DPR Hydraulic Pullers

- Forge high strength alloy steel.
- Self-contained hydraulic pump and puller body with integral safety valve and red warning line.
- Chrome plated cylinder rod provides linear force.
- Spring loaded live centering nut for easy job (removable).
- 2/3 jaws combination puller cross head with manganous-phosphate plated for rust Proof and durability.
- Heat treated forged alloy steel cross bolts and jaws with manganous-phosphate plated for rust proof and long life service.
- Design of two stages stroking, the first stage being as fast stroking for quickly connecting with object ,and the second stage being as high hydraulic output for pulling job.
- Extend plunger easy to work.
- Material lifetime warranty.
- 120% capacity for jaws.
- All model equipment with protective net and box.

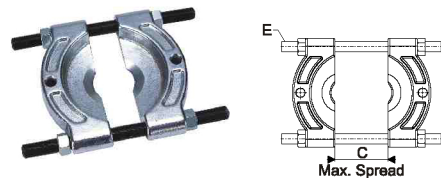


Model No.	Cap. (ton)	Stroke A(mm)	Eff. Area (cm ²)	Reach (mm)	Spread (mm)	Tip			Jaw Tip (mm)			Weight (kg)
						B	C	D	A1	B1	C1	
DPR-600	6	70	8.04	245	330	45	23	91	13	10	22	5.4
DPR-800	8	85	11.34	230	350	55	26	112	11	10	25	7.4
DPR-1200	12	85	14.45	260	375	60	28	118	14	10	29	9.5
DPR-2000	20	111	28.26	350	520	80	40	162	20	27	33	23.0
DPR-3000	30	111	42.00	435	550	98	50	155	20	27	38	35.3



DBA

Universal Bearing Attachments



Model No.	Cap. (ton)	Stroke (mm)	Reach (mm)	Spread (mm)		Tip (mm)			Wt. (kg)
				A	B	D	E	F	
DPR-810	8	85	270	95	220	50	25	122	11.9
DPR-1210	12	85	381	120	290	60	28	118	20.9

Suitable bear attachments

Model No.	Spread (mm)	Bolt (mm)	Wt. (kg)
	C	E	
DBA-9000	30-50	3/8"-24T-L120mm	0.6
DBA-9005	50-75	1/2"-20T-L135mm	1.5
DBA-9015	75-105	5/8"-18T-L165mm	2.5
DBA-9025	105-150	3/4"-16T-L275mm	5.2
DBA-9035	150-200	1"-12T-L350mm	10.6

Puller