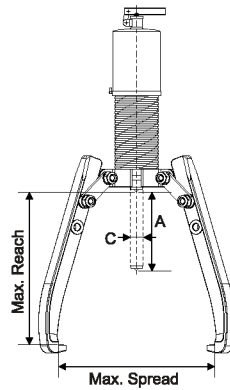
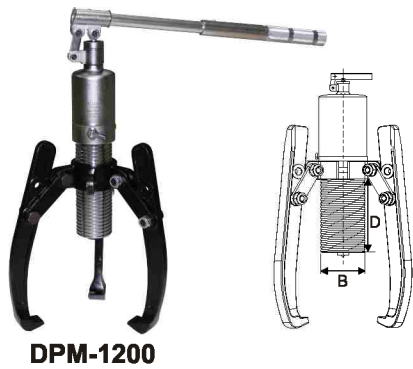


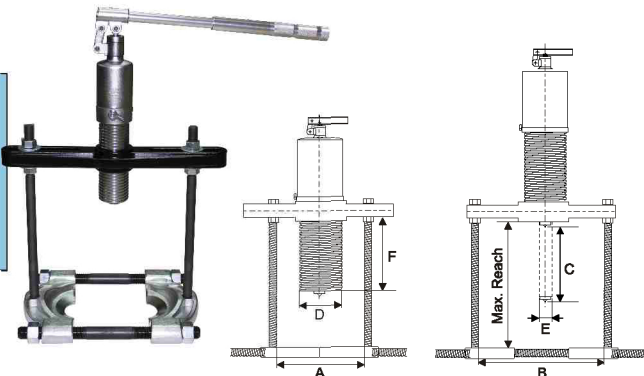
# DPM Hydraulic Pullers

- Forge high strength alloy steel.
- Four stages of foldable & removable handle saves he handle force during operation.
- 360° Rotary Socket.
- Puller body is with integral safety valve and red warning line.
- Chrome plated cylinder provides linear force.
- Spring loaded live center nut for easy job(removable).
- 2/3 jaws combination puller cross head with manganous-phosphate plated for rust proof and durability.
- Heat treated forged alloy steel cross bolt & jaws with manganous-phosphate plated for rust proof and long life service.
- Extend plunger easy to work.
- Material lifetime warranty.
- 120% capacity for jaws.
- All model equipment with protective net and box.



Model No.	Cap. (ton)	Stroke A(mm)	Eff. Area (cm <sup>2</sup> )	Reach (mm)	Spread (mm)	Tip (mm)			Jaw Tip (mm)			Weight (kg)
						B	C	D	A1	B1	C1	
DPM-600	6	70	8.04	245	330	45	23	91	13	10	22	6.1
DPM-800	8	85	11.34	230	350	55	26	112	11	10	25	8.4
DPM-1200	12	85	14.45	260	375	60	28	118	14	10	29	10.5
DPM-2000	20	111	28.26	350	520	80	40	162	20	27	33	24.5
DPM-3000	30	111	42.00	435	550	98	50	155	20	27	38	37.3

Puller

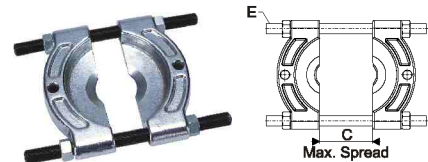


Model No.	Cap. (ton)	Stroke (mm)	Reach (mm)	Spread (mm)		Tip (mm)			Wt. (kg)
				A	B	D	E	F	
DPM-610	6	70	270	95	180	45	23	92	7.3
DPM-810	8	85	270	95	220	50	25	122	12.9
DPM-1210	12	85	381	120	290	60	28	118	21.9

Suitable bear attachments

# DBA Universal Bearing Attachments

- Forged of high strength steel alloy.
- Heat treated, Chrome plated for rust proof and durable life.



Model No.	Spread (mm)	Bolt (mm)	Wt. (kg)
	C	E	
DBA-9000	30-50	3/8"-24T-L120mm	0.6
DBA-9005	50-75	1/2"-20T-L135mm	1.5
DBA-9015	75-105	5/8"-18T-L165mm	2.5
DBA-9025	105-150	3/4"-16T-L275mm	5.2
DBA-9035	150-200	1"-12T-L350mm	10.6