

DLSG Series

Single-Acting

High Tonnage Cylinder
Load return

Capacity:
50-1,000 ton

Stroke:
50-300 mm

Maximum Operating Pressure:
700 bar

DLSG Single-Acting, High Tonnage Cylinders

- Base mounting holes standard on all models.
- Single-acting, load return.
- Hard chrome plated plunger and inner of barrel resists wear and corrosion.
- Plunger wiper reduces contamination, extending cylinder life.
- Integral stop ring provides piston blow-out protection
- Powder coat finish for increased corrosion resistance and antirust.
- DQC-3/8UF coupler and dust cap are included on all models.



DLSG-506



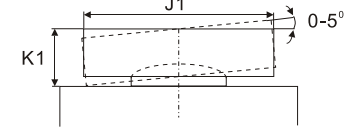
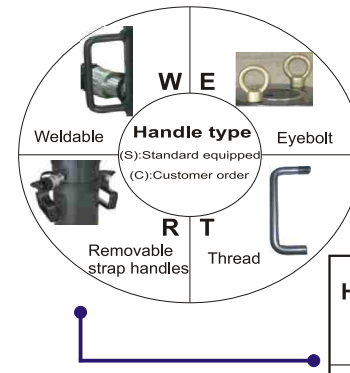
DLSG-1006

Mounting Hole Orientation

- Top mounting hole orientation is maintained to port location.
- Bases mounting hole orientation is not maintained to port location.

Cylinder Capacity

- More above 1000 tons cylinder capacity are also available.
- Please contact DURAJACK office nearest to you for advice and technical assistance in the layout of your ideal Lift System.



Handle type	Model Number	Cylinder Cap.	Stroke	Effective Area	Coll. Height	Wt.	Optional Tilt Saddle		
							Model Number	Diam.	Ht.
(S)		ton(kN)	(mm)	(cm ²)	A (mm)	(kg)	J1(mm)	K1(mm)	
E	DLSG-502	50 (539)	50	77.0	162	17	DXKCATG-50	50	24
E	DLSG-504		100	77.0	212	20	DXKCATG-50	50	24
E	DLSG-506		150	77.0	262	23	DXKCATG-50	50	24
E	DLSG-508		200	77.0	312	27	DXKCATG-50	50	24
E	DLSG-5010		250	77.0	362	31	DXKCATG-50	50	24
E	DLSG-5012		300	77.0	412	34	DXKCATG-50	50	24
E	DLSG-1002	100 (929)	50	132.7	182	19	DXKCATG-100	73	29
E	DLSG-1004		100	132.7	232	29	DXKCATG-100	73	29
E	DLSG-1006		150	132.7	282	40	DXKCATG-100	73	29
E	DLSG-1008		200	132.7	332	50	DXKCATG-100	73	29
E	DLSG-10010		250	132.7	382	61	DXKCATG-100	73	29
E	DLSG-10012		300	132.7	432	71	DXKCATG-100	73	29
E	DLSG-1502	150 (1390)	50	198.6	196	39	DXKCATG-150	91	31
E	DLSG-1504		100	198.6	246	52	DXKCATG-150	91	31
E	DLSG-1506		150	198.6	296	65	DXKCATG-150	91	31
E	DLSG-1508		200	198.6	346	78	DXKCATG-150	91	31
E	DLSG-15010		250	198.6	396	92	DXKCATG-150	91	31
E	DLSG-15012		300	198.6	446	105	DXKCATG-150	91	31
E	DLSG-2002	200 (1861)	50	265.9	216	68	DXKCATG-200	113	35
E	DLSG-2006		150	265.9	316	91	DXKCATG-200	113	35
E	DLSG-20012		300	265.9	466	146	DXKCATG-200	113	35
E	DLSG-2502	250 (2565)	50	366.4	235	102	DXKCATG-250	144	46
E	DLSG-2506		150	366.4	335	136	DXKCATG-250	144	46
E	DLSG-25012		300	366.4	485	207	DXKCATG-250	144	46
E	DLSG-3002	300 (3193)	50	456.2	312	184	DXKCATG-300	160	62
E	DLSG-3006		150	456.2	412	232	DXKCATG-300	160	62
E	DLSG-30012		300	456.2	562	303	DXKCATG-300	160	62
E	DLSG-4002	400 (3919)	50	559.9	375	270	DXKCATG-400	193	51
E	DLSG-4006		150	559.9	475	330	DXKCATG-400	193	51
E	DLSG-40012		300	559.9	625	421	DXKCATG-400	193	51
E	DLSG-5002	500 (5114)	50	730.6	419	401	DXKCATG-500	228	63
E	DLSG-5006		150	730.6	519	480	DXKCATG-500	228	63
E	DLSG-50012		300	730.6	669	599	DXKCATG-500	228	63
E	DLSG-6002	600 (5987)	50	855.3	429	474	DXKCATG-600	241	76
E	DLSG-6006		150	855.3	529	565	DXKCATG-600	241	76
E	DLSG-60012		300	855.3	679	701	DXKCATG-600	241	76
E	DLSG-8002	800 (8234)	50	1176.3	474	741	DXKCATG-800	287	75
E	DLSG-8006		150	1176.3	574	880	DXKCATG-800	287	75
E	DLSG-80012		300	1176.3	724	1058	DXKCATG-800	287	75
							Equipped Tilt Saddle		
E	DLSG-10002	1000 (10260)	50	1465.7	564	1062	DXKCATG-1000	311	93
E	DLSG-10006		150	1465.7	664	1213	DXKCATG-1000	311	93
E	DLSG-100012		300	1465.7	814	1439	DXKCATG-1000	311	93

* Capacity above 1000tons cylinders are equipped with tilt saddle. If you want to opt fixed grooved saddle please connect to us order **DXKLRG-1000**.



Feature

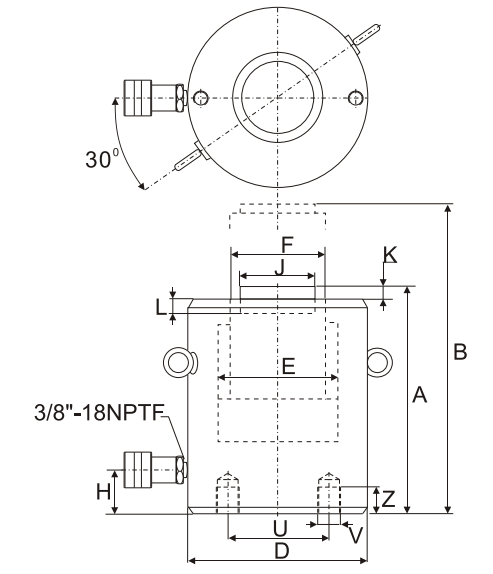
- DLSG-series are equipped with interchangeable, hardened grooved saddles. (Except capacity above 1000tons)
- DQC-3/8UF coupler and dust cap.
- Top and side mount lifting eye capability.

Low Height-High Tonnage

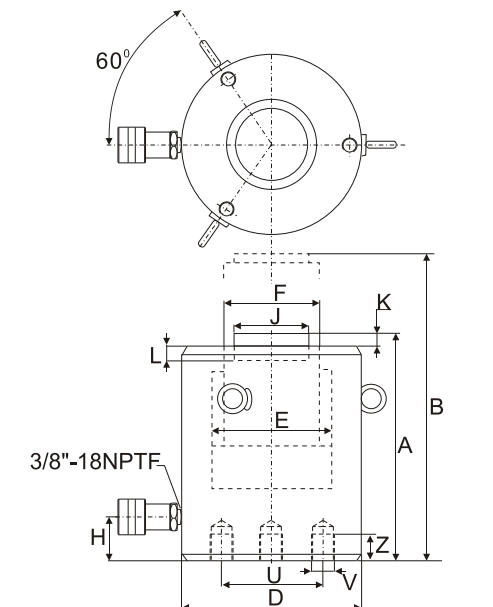
- When low height with high force is required, load return with lock ring cyl. offer the solution to lift the first few inches.

Model Number	Cylinder Cap. ton(kN)	Stroke (mm)	Effective Area (cm ²)	Oil Cap. (cm ³)	Coll. Height A (mm)	Ext. Height B (mm)	Outside Diam. D (mm)	Bore Diam. E (mm)	Plunger Diam. F (mm)	Base to Advance Port H (mm)
DLSG-504	100	77.0	770	212	312	130	98.6	70.0	42	
DLSG-506	150	77.0	1155	262	412	130	98.6	70.0	42	
DLSG-508	200	77.0	1540	312	512	130	98.6	70.0	42	
DLSG-5010	250	77.0	1924	362	612	130	98.6	70.0	42	
DLSG-5012	300	77.0	2309	412	712	130	98.6	70.0	42	
DLSG-1002	100 (929)	50	132.7	664	182	232	165	130.0	95.0	54
DLSG-1004		100	132.7	1327	232	332	165	130.0	95.0	54
DLSG-1006		150	132.7	1991	282	432	165	130.0	95.0	54
DLSG-1008		200	132.7	2655	332	532	165	130.0	95.0	54
DLSG-10010		250	132.7	3318	382	632	165	130.0	95.0	54
DLSG-10012		300	132.7	3982	432	732	165	130.0	95.0	54
DLSG-1502	150 (1390)	50	198.6	993	196	246	205	159.0	114.0	61
DLSG-1504		100	198.6	1986	246	346	205	159.0	114.0	61
DLSG-1506		150	198.6	2978	296	446	205	159.0	114.0	61
DLSG-1508		200	198.6	3971	346	546	205	159.0	114.0	61
DLSG-15010		250	198.6	4964	396	646	205	159.0	114.0	61
DLSG-15012		300	198.6	5957	446	746	205	159.0	114.0	61
DLSG-2002	200 (1861)	50	265.9	1330	216	266	235	184.0	133.0	67
DLSG-2006		150	265.9	3989	316	466	235	184.0	133.0	67
DLSG-20012		300	265.9	7977	466	766	235	184.0	133.0	67
DLSG-2502	250 (2565)	50	366.4	1832	235	285	275	216.0	165.0	73
DLSG-2506		150	366.4	5497	335	485	275	216.0	165.0	73
DLSG-25012		300	366.4	10993	485	785	275	216.0	165.0	73
DLSG-3002	300 (3193)	50	456.2	2281	312	362	310	241.0	197.0	101
DLSG-3006		150	456.2	6843	412	562	310	241.0	197.0	101
DLSG-30012		300	456.2	13685	562	862	310	241.0	197.0	101
DLSG-4002	400 (3919)	50	559.9	2800	375	425	350	267.0	216.0	114
DLSG-4006		150	559.9	8399	475	625	350	267.0	216.0	114
DLSG-40012		300	559.9	16797	625	925	350	267.0	216.0	114
DLSG-5002	500 (5114)	50	730.6	3653	419	469	400	305.0	248.0	114
DLSG-5006		150	730.6	10959	519	669	400	305.0	248.0	114
DLSG-50012		300	730.6	21918	669	969	400	305.0	248.0	114
DLSG-6002	600 (5987)	50	855.3	4276	429	479	430	330.0	267.0	114
DLSG-6006		150	855.3	12829	529	679	430	330.0	267.0	114
DLSG-60012		300	855.3	25659	679	979	430	330.0	267.0	114
DLSG-8002	800 (8234)	50	1176.3	5881	474	524	505	387.0	317.0	149
DLSG-8006		150	1176.3	17644	574	724	505	387.0	317.0	149
DLSG-80012		300	1176.3	35288	724	1024	505	387.0	317.0	149
DLSG-10002	1000 (10260)	50	1465.7	7329	564	614	560	432.0	343.0	174
DLSG-10006		150	1465.7	21986	664	814	560	432.0	343.0	174
DLSG-100012		300	1465.7	43972	814	1114	560	432.0	343.0	174

Standard Saddle Diam. J (mm)	Saddle Protrusion from Plngr. K (mm)	Depth of plunger Hole L (mm)	Base Mounting Holes			Weight (kg)
			Bolt Cir. Diam. U (mm)	Thread V (mm)	Thread Depth Z (mm)	
50	1	19	65	2xM12	22	17
50	1	19	65	2xM12	22	20
50	1	19	65	2xM12	22	23
50	1	19	65	2xM12	22	27
50	1	19	65	2xM12	22	31
50	1	19	65	2xM12	22	34
75	1	19	95	2xM12	22	19
75	1	19	95	2xM12	22	29
75	1	19	95	2xM12	22	40
75	1	19	95	2xM12	22	50
75	1	19	95	2xM12	22	61
75	1	19	95	2xM12	22	71
94	1	19	130	2xM12	22	39
94	1	19	130	2xM12	22	52
94	1	19	130	2xM12	22	65
94	1	19	130	2xM12	22	78
94	1	19	130	2xM12	22	92
94	1	19	130	2xM12	22	105
113	1	24	165	4xM12	22	68
113	1	24	165	4xM12	22	91
113	1	24	165	4xM12	22	146
145	1	24	190	3xM12	22	102
145	1	24	190	3xM12	22	136
145	1	24	190	3xM12	22	207
177	1	19	180	3xM16	36	184
177	1	19	180	3xM16	36	232
177	1	19	180	3xM16	36	303
196	3	27	205	3xM16	36	270
196	3	27	205	3xM16	36	330
196	3	27	205	3xM16	36	421
228	3	27	250	3xM24	38	401
228	3	27	250	3xM24	38	480
228	3	27	250	3xM24	38	599
247	3	27	275	3xM24	38	474
247	3	27	275	3xM24	38	565
247	3	27	275	3xM24	38	701
297	3	27	330	3xM24	38	741
297	3	27	330	3xM24	38	880
297	3	27	330	3xM24	38	1058
323	3	27	375	3xM24	38	1062
323	3	27	375	3xM24	38	1213
323	3	27	375	3xM24	38	1439



DLSG-50 to DLSG-150 models



DLSG-200 to DLSG-1000 models