

DCS Series
Single-Acting
 Low Height Cylinder
 Spring return

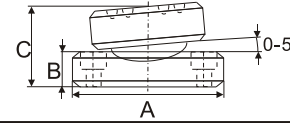
Capacity:
10-90 ton

Stroke:
38-62 mm

Maximum Operating Pressure:
700 bar

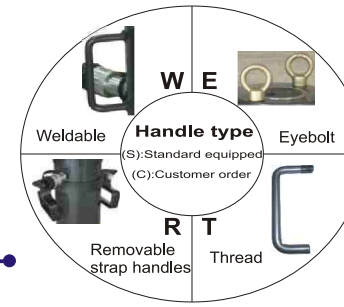
DCS Single-Acting, Low Height Cylinders

- Lightweight, low profile design for use in confined spaces ,but stroke higher than DSM.
- Grooved plunger end with threaded holes for mounting tilt saddles.
- Hard chrome plated plunger and inner of barrel resists wear and corrosion.
- Maximum sized springs speed piston return and increase spring life.
- Plunger wiper reduces contaminant.
- Stop ring for piston blow-out protection.
- Powder coat finish for increased corrosion resistance and antirust.
- DQC-3/8UF coupler and dust cap are included on all models.



Cylinder Model/Cap. ton(kN)	Model Number	A	B	*C
DCS-101	DXKCATRCS-10	35	11	21
DCS-201,302,502	DXKCATRCS-20	50	15	29
DCS-1002	DXKCATRCS-100	71	17	35

*C dimension equals saddle protrusion from plunger. Mounting screws are included.



DCS-101

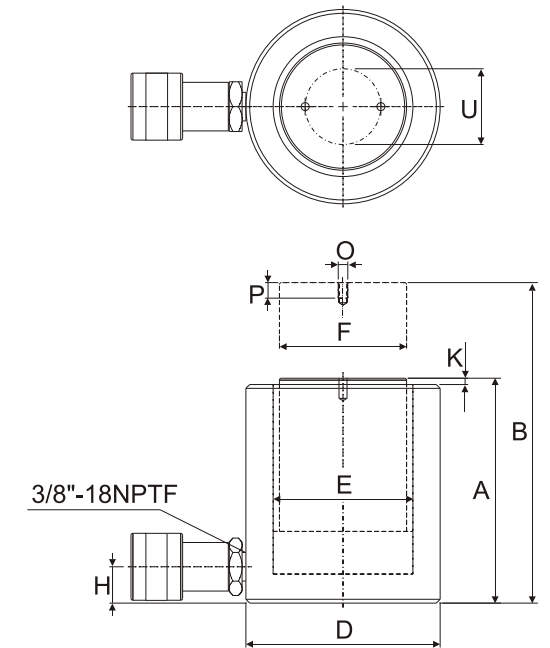


DCS-302



DCS apply heavy machine adjust level or lift large steel construction which be low height.

Handle type	Model Number	Cylinder Capacity ton(kN)	Stroke (mm)	Cylinder Effective Area (cm ²)	Oil Capacity (cm ³)
(S)	DCS-101	10(101)	38	14.5	55
	DCS-201	20(201)	45	28.7	129
	DCS-302	30(295)	62	42.1	261
W	DCS-502	45(435)	60	62.1	373
W	DCS-1002	90(887)	57	126.7	722



Collapsed Height	Extended Height	Outside Diameter	Cylinder Bore Diam.	Plunger Diam.	Base to Adv. Port	Plunger Protrusion from Base	Thread	Thread Depth	Bolt Circle	Weight	Model Number
A (mm)	B (mm)	D (mm)	E (mm)	F (mm)	H (mm)	K (mm)	O (mm)	P (mm)	U (mm)	(kg)	
88	126	69	42.9	38.1	17	5	M4	8	26	4.1	DCS-101
98	143	92	60.5	50.8	17	3	M5	8	39	5.0	DCS-201
117	179	101	73.2	66.5	19	3	M5	8	39	6.8	DCS-302
122	182	124	88.9	69.8	23	2	M5	8	39	10.9	DCS-502
141	198	165	127.0	92.2	31	1	M8	10	55	22.7	DCS-1002



Hydraulic Cylinder and Pump Sets

Basic system set-up include cylinder, male/female coupler, hose, pressure gauge, gauge accessories and pump. Please connect DURAJACK office nearest to you for advice and technical assistance in the layout of your ideal.



Saddle

All DCS series cylinders have plunger mounting holes for installation of tilt saddles.



Control Valve

Fitting needle valve such as DV-82 is used to control cylinder speed during lifting and lowering. (See DV-Series)